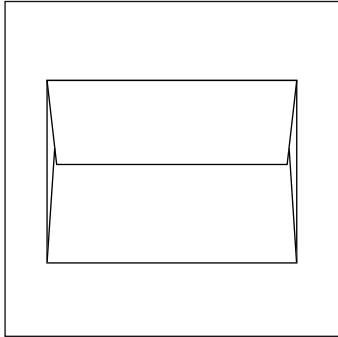
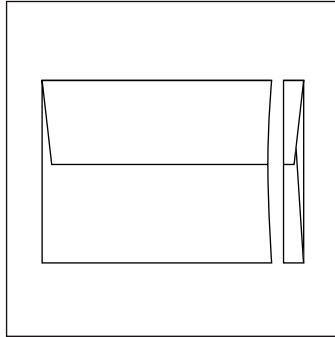


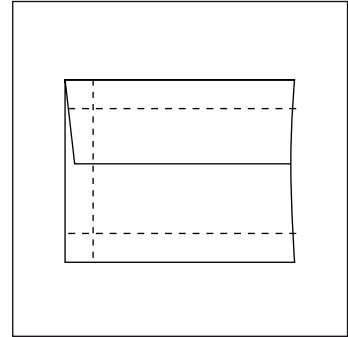
Bag-A-Lope Instructions



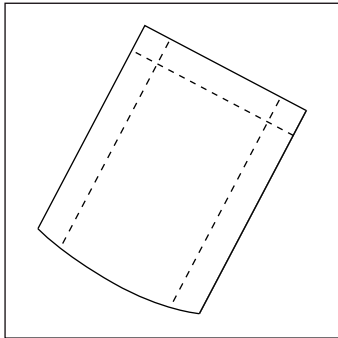
1. Seal envelope that has already been stamped.



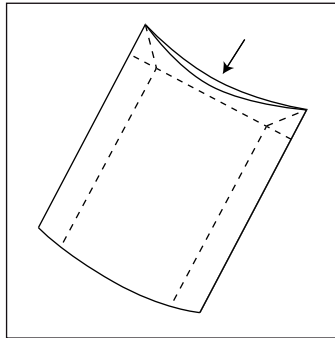
2. Cut off about 1 cm on one side.



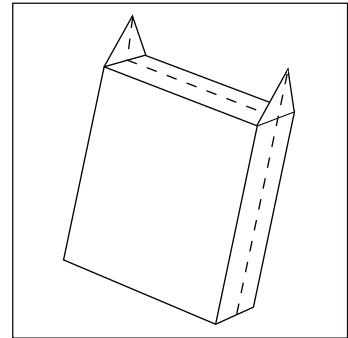
3. Using a bone folder, fold in each side, except the side with the opening, at about 2 cm.



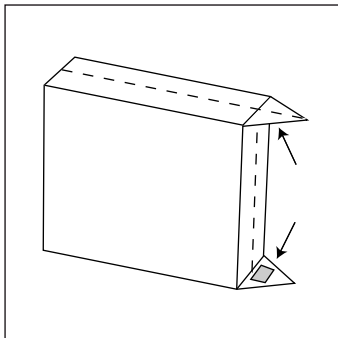
4. Open all folds and stick your fingers in for support.



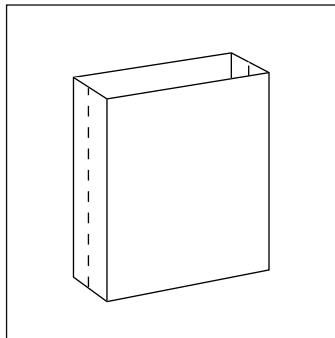
5. Push down on the top of the envelope until it levels off at the score marks.



6. Flatten end peaks.



7. Apply SNAIL adhesive or Sticky Strip to tabs and push in to seal.



8. Stand the bag upright, and make sure all four corner creases are crisp.



9. Fill with candy and add a topper.